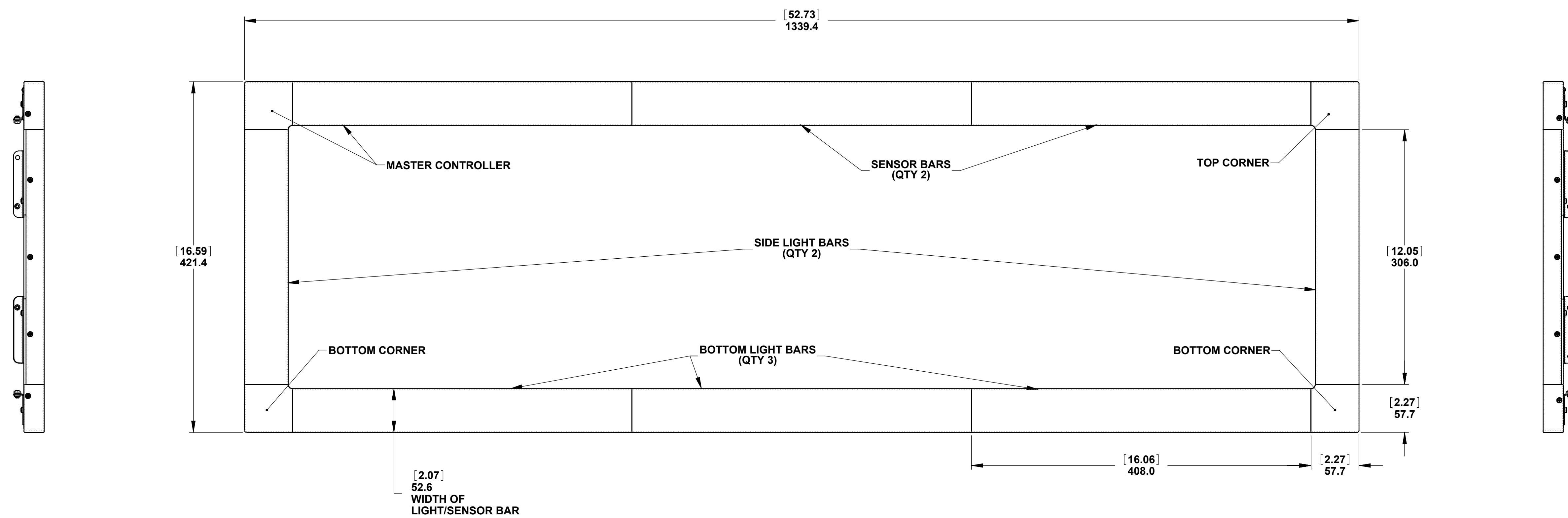
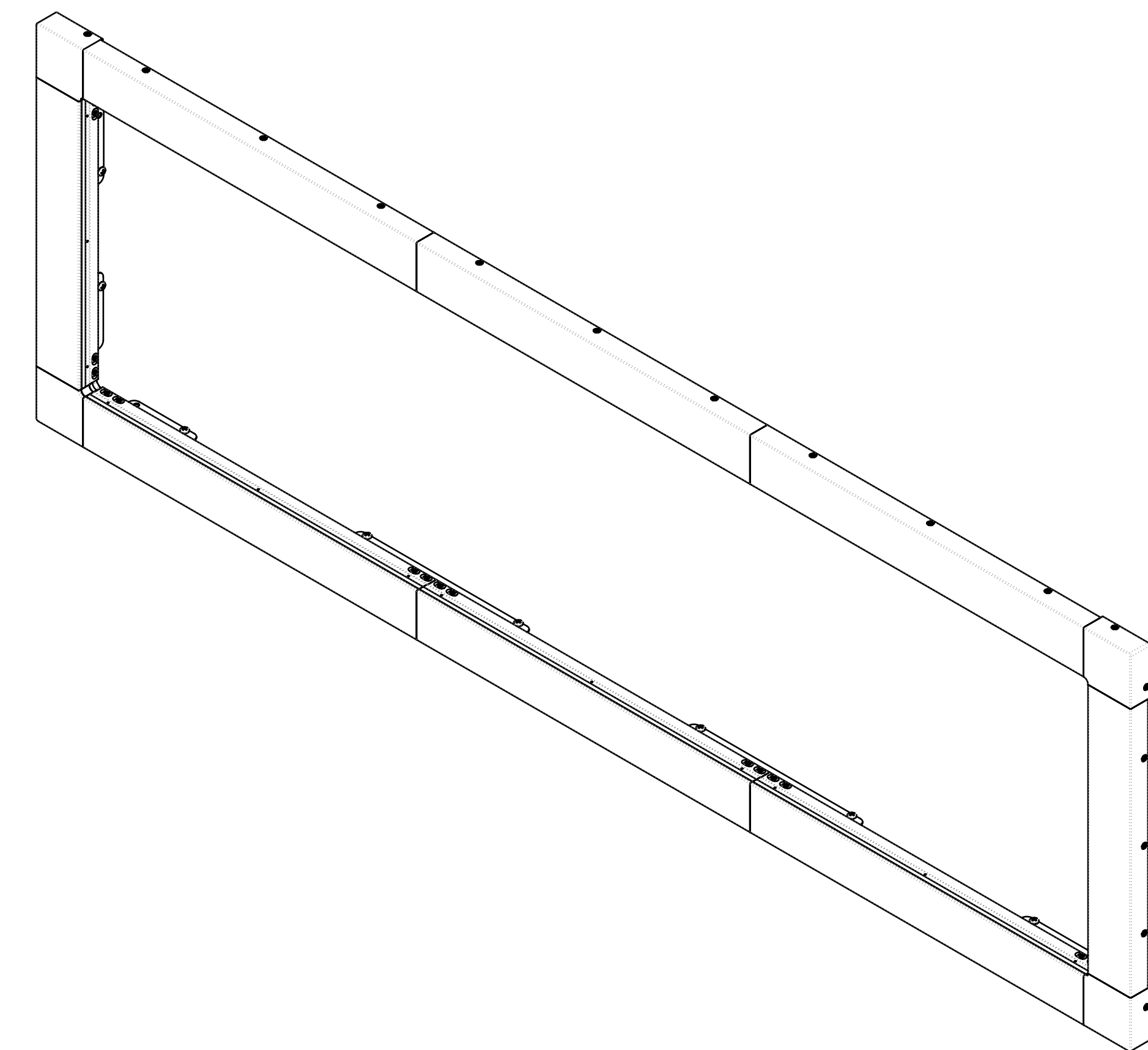
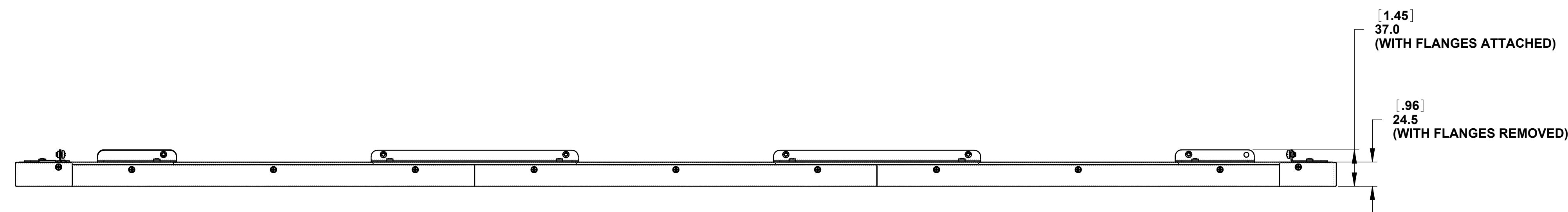


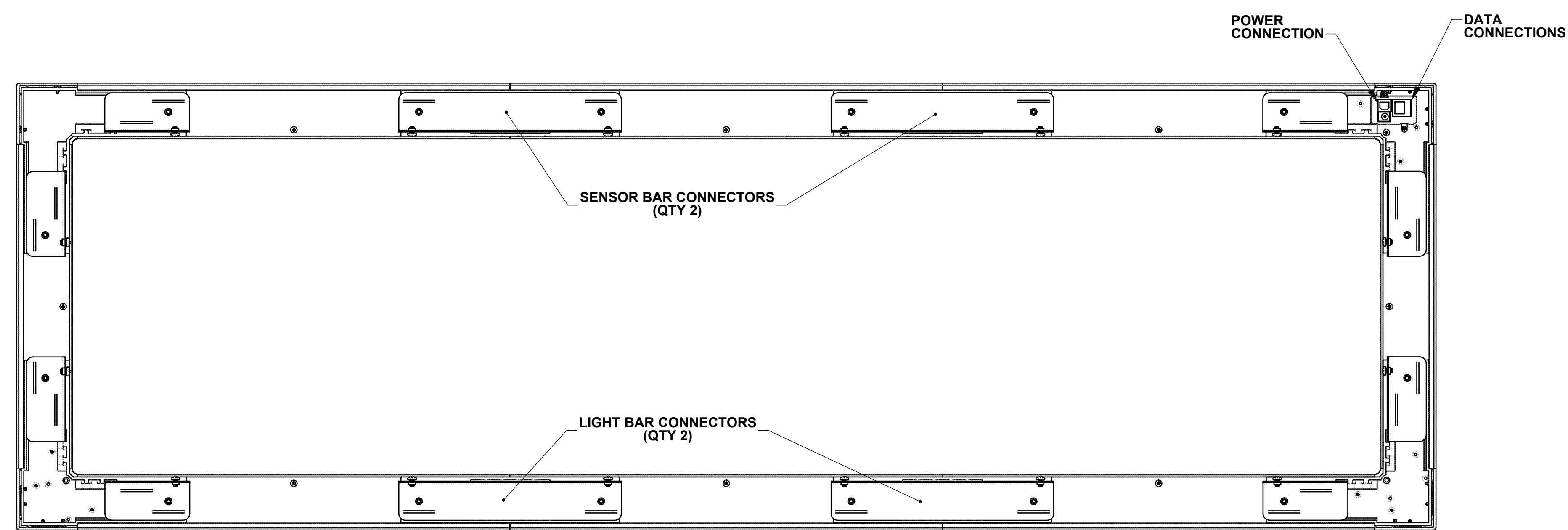
REVISION HISTORY OF: 020-100905-01			
REV	DESCRIPTION OF CHANGE	BY	REV DATE
01	INITIAL RELEASE	PG	04/26/2012
02	INCREASED MAXIMUM SIZE (USED TO BE 12 UNITS WIDE)	PG	10/10/2012

GENERAL NOTES:

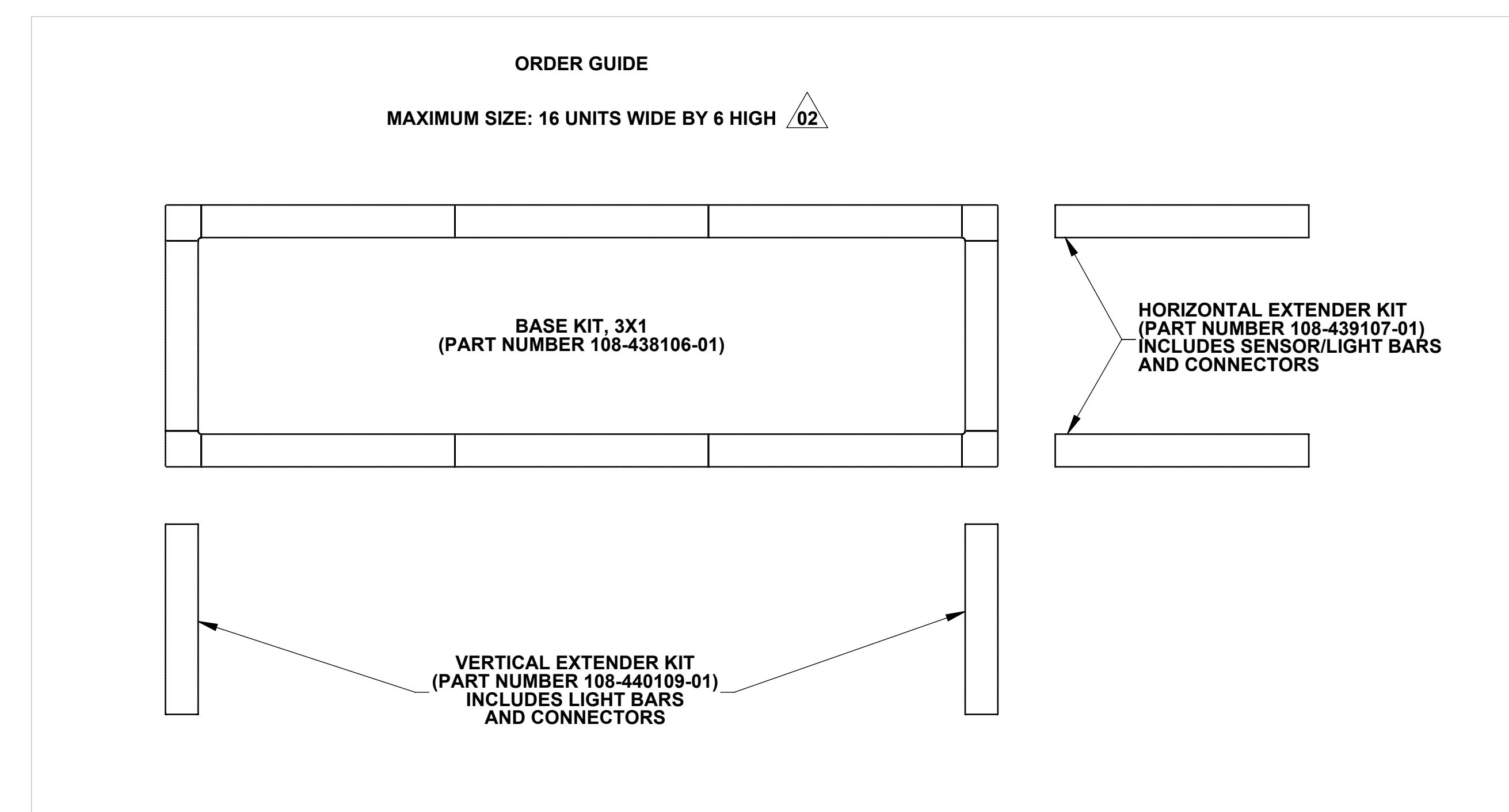
MINIMUM SIZE: 3 UNITS WIDE BY 1 HIGH ARRAY \triangle
 MAXIMUM SIZE: 16 UNITS WIDE BY 6 HIGH ARRAY \triangle
 AMBIENT AIR TEMPERATURE: 40 °C (104 °F) MAX.



FRONT VIEW, 3X1 BASE KIT



REAR VIEW, 3X1 BASE KIT



UNITS	INCHES	MILLIMETRES
UNLESS OTHERWISE SPECIFIED		
INTERFERENCE DIMENSIONS AND TOLERANCES PER ASME Y14.5M-1994		
TOLERANCES APPLY AS SHOWN BELOW		
DECIMAL PLACES	INCHES	MILLIMETRES
.XXX	± .013	± 1.4
.XX	± .010	± 1.1
.X	± .008	± 0.8
ANGULAR DIMENSIONS	± 1.0°	
XX°	± 0.5°	
XX'X"	± 0.5'	

NOT TO BE DISCLOSED OR REPRODUCED IN ANY MANNER WITHOUT THE EXPRESS WRITTEN PERMISSION OF CHRISTIE

THIRD ANGLE PROJECTION

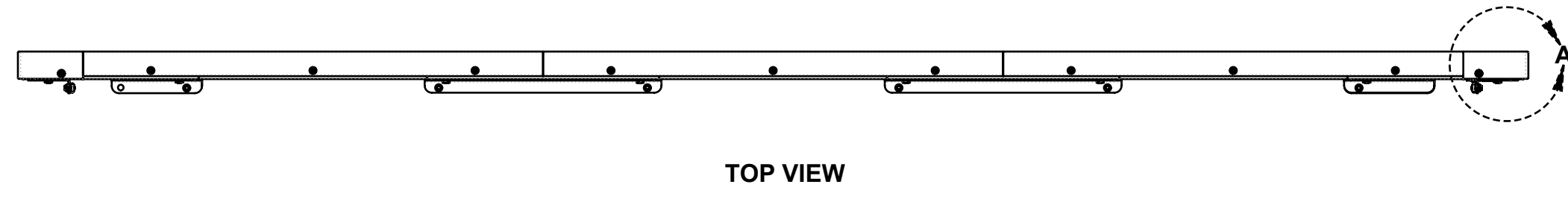
CHRISTIE CHRISTIE DIGITAL SYSTEMS USA, INC. CHRISTIE DIGITAL SYSTEMS CANADA, INC.

DWG LINE INTERACTIVITY KIT

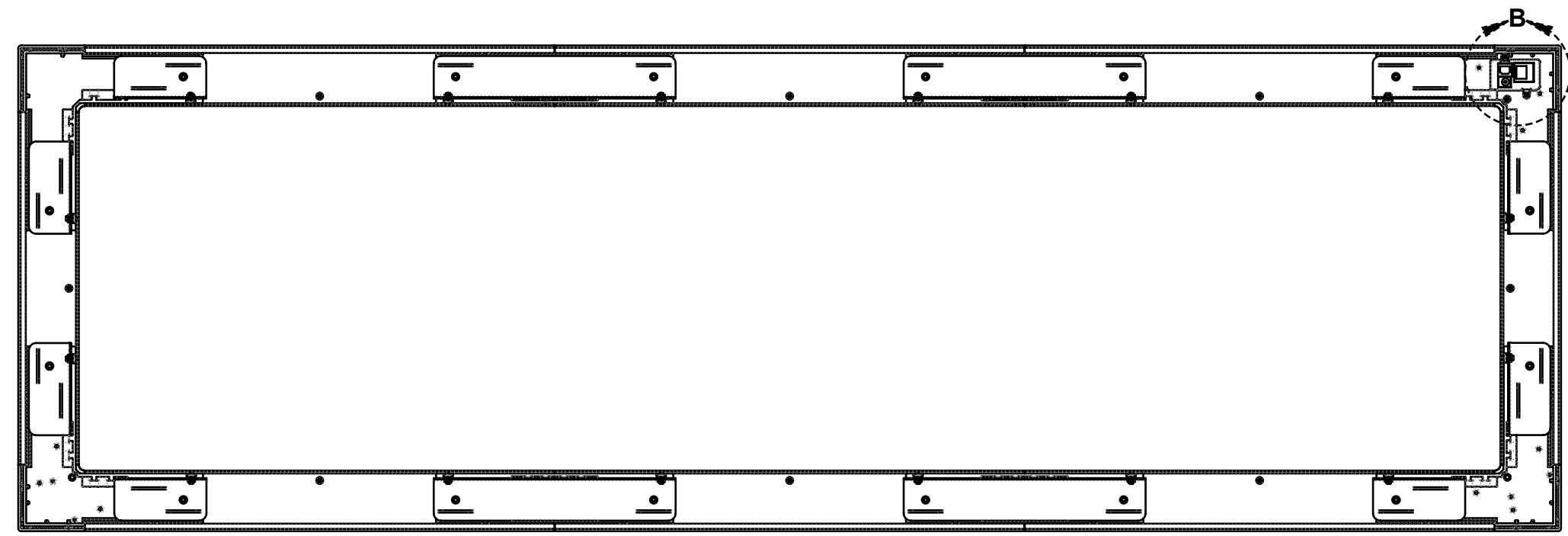
SIZE: E PART NUMBER: 020-100905-01 SHEET 1 OF 2

SCALE: 1:4 MASS: - LBS (- KG)

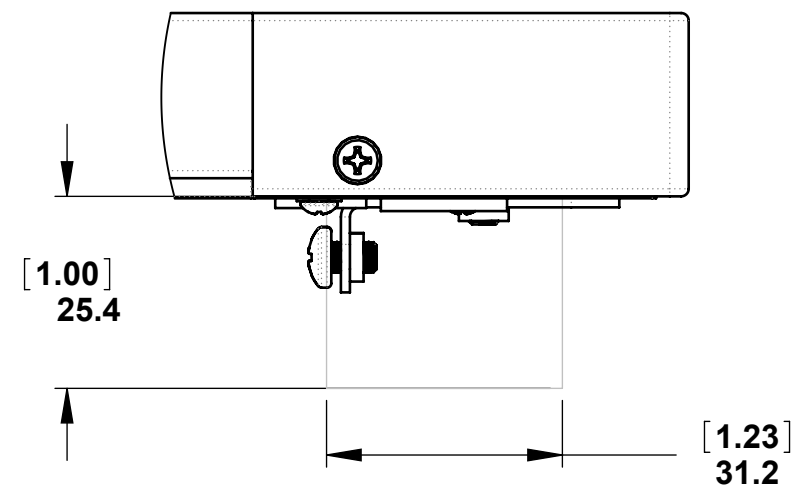
CLEARANCE FOR POWER AND DATA INLETS



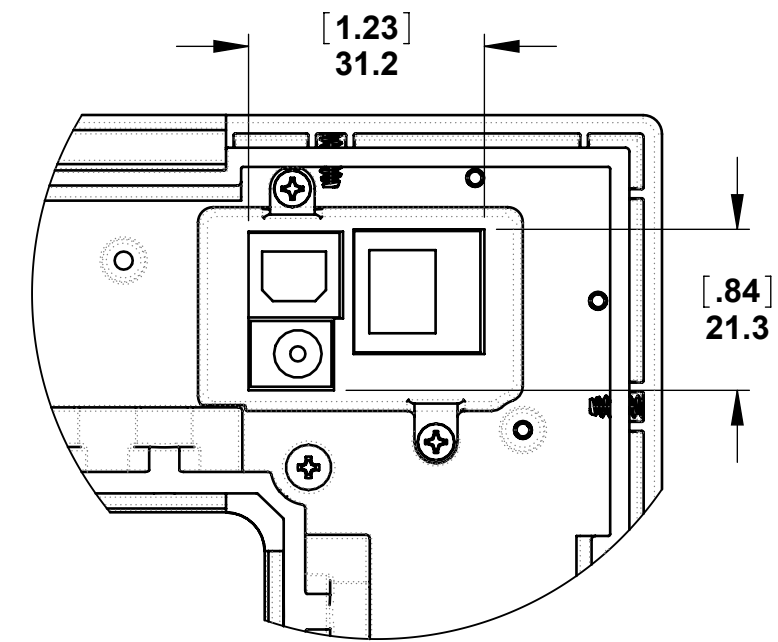
TOP VIEW



REAR VIEW

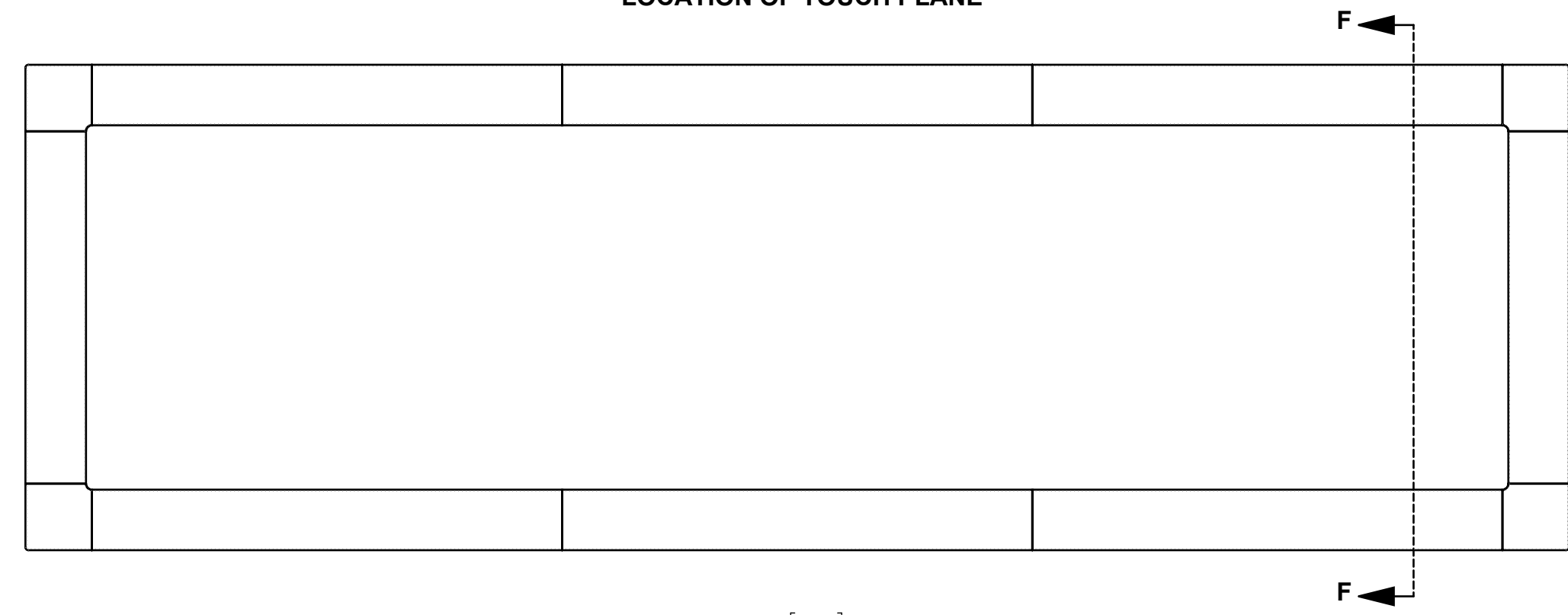


DETAIL A
SCALE 1 : 1

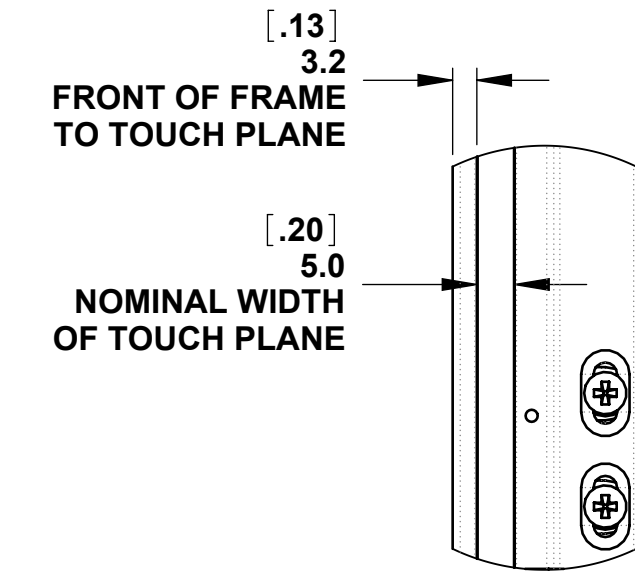


DETAIL B
SCALE 1 : 1

LOCATION OF TOUCH PLANE

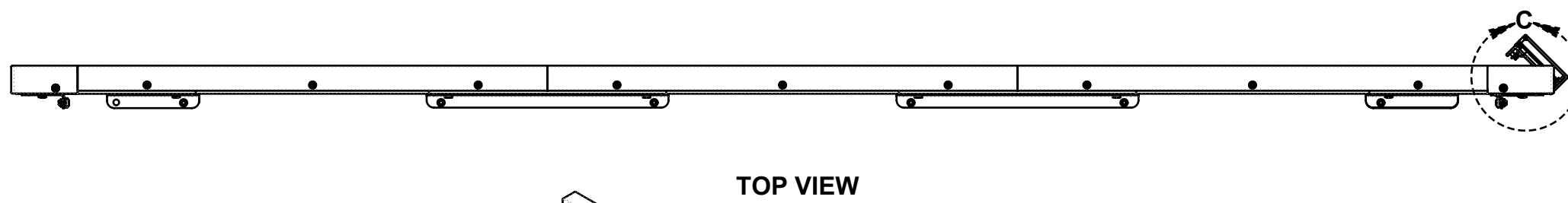


SECTION F-F

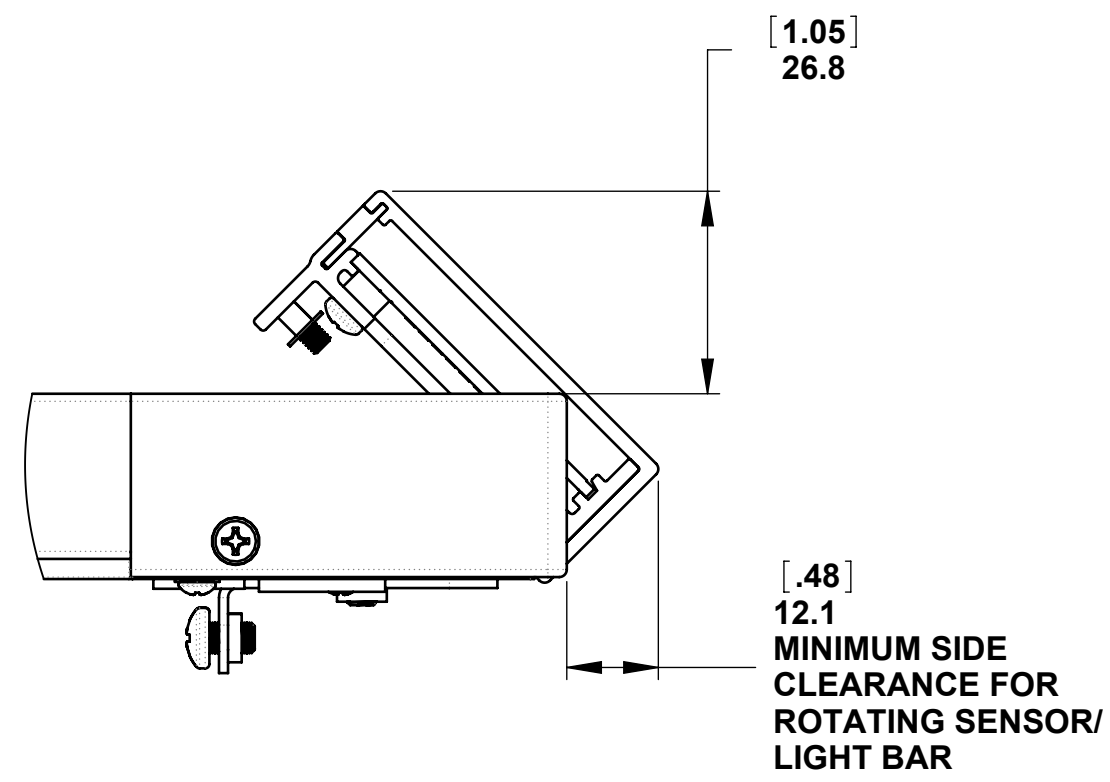
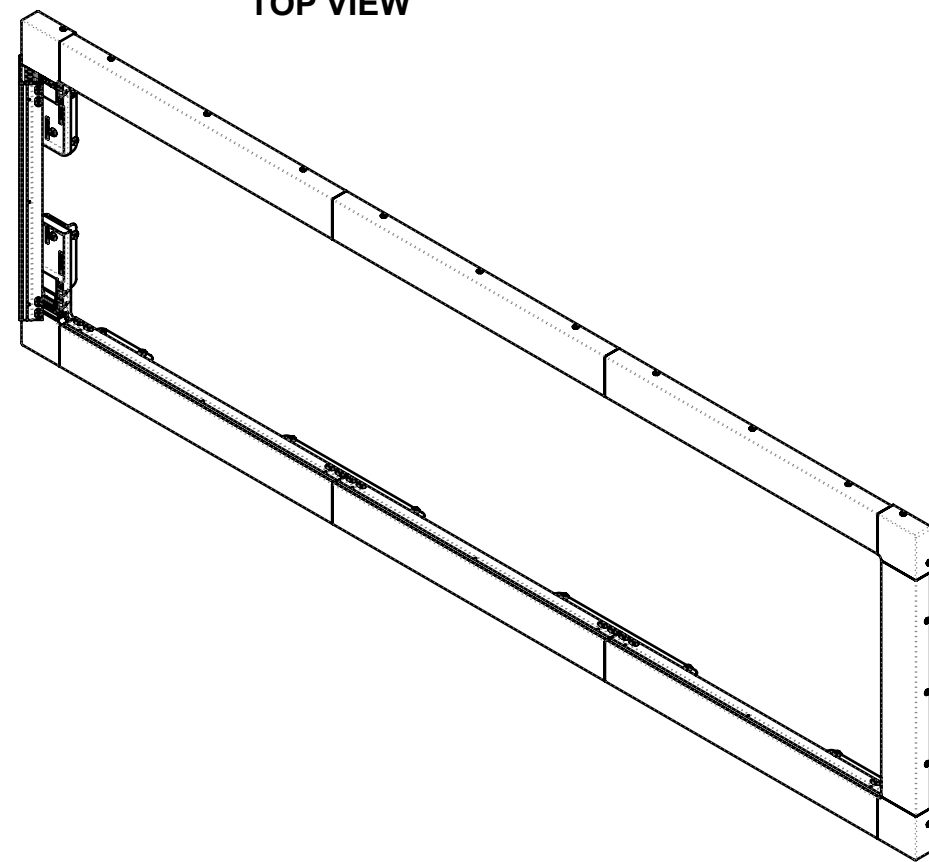


DETAIL G
SCALE 1 : 1

CLEARANCE TO ROTATE SENSOR/ LIGHT BARS FOR ASSEMBLY OR REMOVAL



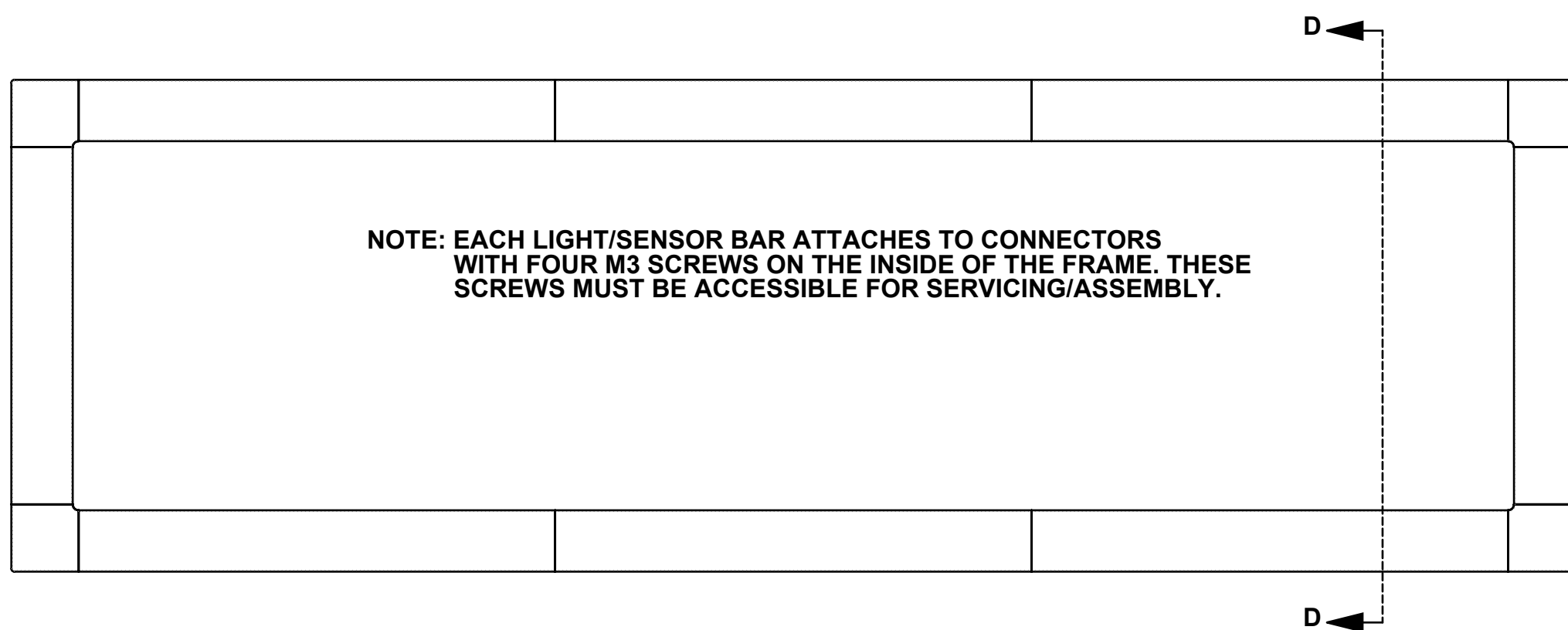
TOP VIEW



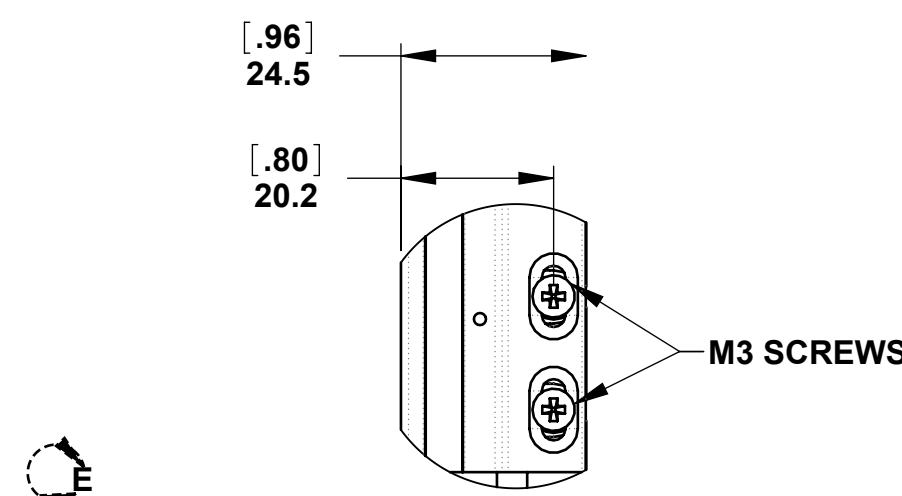
DETAIL C
SCALE 1 : 1

[.48]
12.1
MINIMUM SIDE
CLEARANCE FOR
ROTATING SENSOR/
LIGHT BAR

CLEARANCE FOR SCREWS TO REMOVE LIGHT/SENSOR BARS



NOTE: EACH LIGHT/SENSOR BAR ATTACHES TO CONNECTORS WITH FOUR M3 SCREWS ON THE INSIDE OF THE FRAME. THESE SCREWS MUST BE ACCESSIBLE FOR SERVICING/ASSEMBLY.



DETAIL E
SCALE 1 : 1

SECTION D-D

PROPRIETARY
NOT TO BE DISCLOSED OR REPRODUCED IN
ANY MANNER WITHOUT THE EXPRESS
WRITTEN PERMISSION OF
CHRISTIE

CHRISTIE
CHRISTIE DIGITAL SYSTEMS USA, INC.
CHRISTIE DIGITAL SYSTEMS CANADA, INC.

SIZE **D** PART NUMBER
SCALE 1:5 MASS

020-100905-01 02

- LBS [- KG]

REVISION
SHEET 2 OF 2